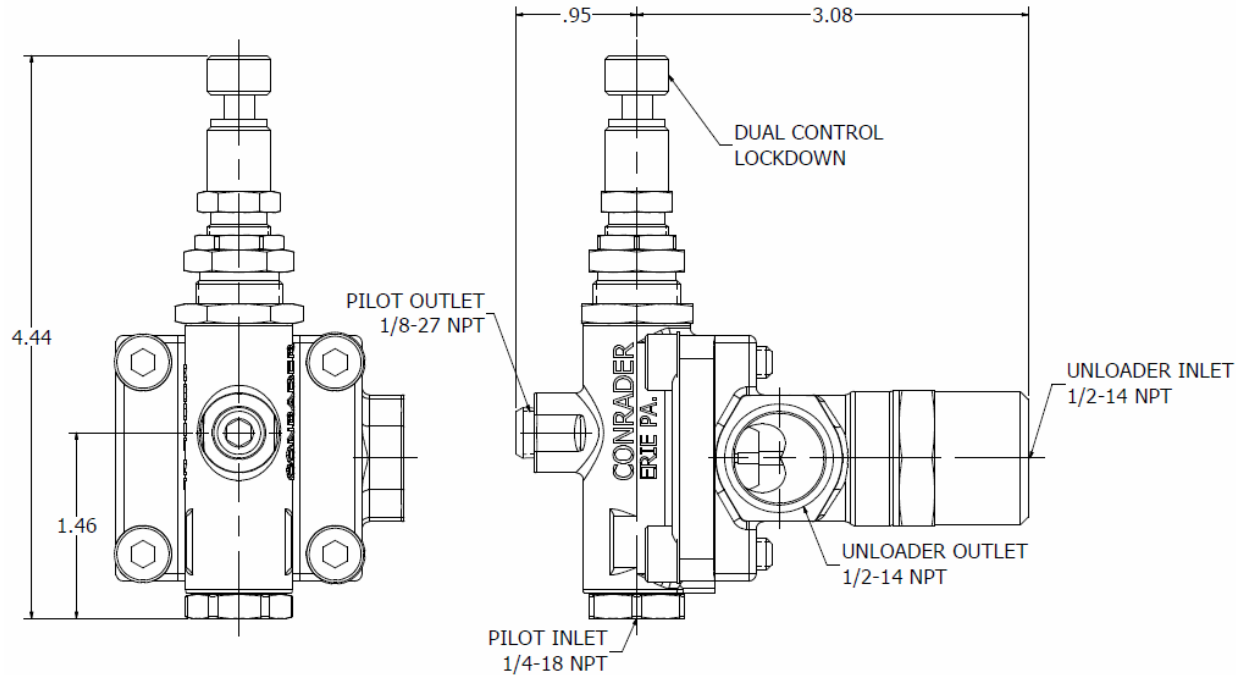




Piloted Unloader Valve Model: BLDC-Series



*Dimensions will vary with different connections and configurations.

Operating Specifications:

Unload Set Pressure Range: 40 to 250 psig

Set Pressure Differential Range: 10 to 50 psid

Operating Temperature Range: -65°F to 400°F

Max Flow Capacity: 60 SCFM @ 100 psig

Available Connections:

Unloader Connection Size: 1/2" (-8)

Unloader Connection Type: NPT

Materials of Construction:

Body/Fittings: Brass

O-Rings: Silicone/Viton

Poppets: Reinforced PTFE

Springs: Stainless Steel



Ordering Information

BLDC - HU2 - SA - 90-120

Hand Unloader Options		Pilot Tamper Seal		Pressure Setting
Option	Code	Option	Code	
Aluminum (Standard)	(Blank)	None	(Blank)	
Red Cap	HU2	Sealed	SA	
Black Knob	HU3			

Options

1. Configuration: Available configurations are listed on the following pages. If the configuration needed is not listed please contact us at orders@conrader.com
2. Hand Unloader Options
 - a. Aluminum: Standard aluminum hand unloader on all valves.
 - b. Red Cap: A red vinyl cap installed on the aluminum hand unloader.
 - c. Black Knob: A plastic black knob in place of the aluminum hand unloader.
3. Pilot Tamper Seal:
 - a. None: A seal will not be applied to the pilot adjustments.
 - b. Sealed: A blue tamper seal will be applied across the pilot adjustments.
4. Pressure Setting: The desired pilot load and unload pressure settings.