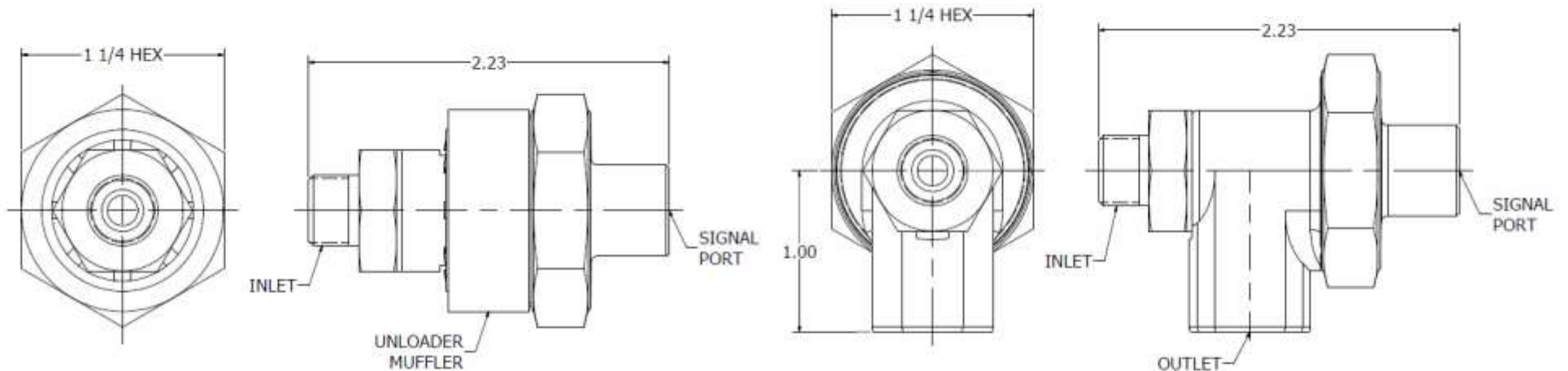




Unloader Valve Model: D-Series



*Dimensions will vary with different connections and configurations.

Operating Specifications:

Operating Pressure Range: 40 to 250 psig

Operating Temperature Range: -65°F to 400°F

Max Flow Capacity: 20 SCFM @ 100 psig

Flow Coefficient (Cv): 1.13

Available Connections:

Connection Sizes: 1/4" to 3/8" (-4 to -6)

Connection Types: NPT, Compression

Materials of Construction:

Body/Fittings: Brass

O-Rings: Silicone/Viton

Poppets: Reinforced PTFE

Springs: Stainless Steel



Ordering Information

D	1	-	M	-	SST
Configuration Number	Unloader Outlet Option		Thread Sealant		
See Available Configurations Below	<u>Option</u>	<u>Code</u>	<u>Option</u>	<u>Code</u>	
	Muffler (Standard)	M	None	(Blank)	
			White	SST	

Options

1. Configuration: Available configurations are listed on the following pages. If the configuration needed is not listed please contact us at orders@conrader.com
2. Unloader Outlet
 - a. Muffler: The muffler comes standard and reduces the noise from the unloader.
3. Thread Sealant:
 - a. None
 - b. White colored thread sealant.

Model	<u>Unloader Inlet Connection</u>	<u>Unloader Outlet Connection</u>	<u>Signal Inlet Connection</u>
D	1/8" (-2) MALE NPT 1/8-27 NPT	1/4" (-4) FEMALE NPT 1/4-18 NPT	1/8" (-2) FEMALE NPT 1/8-27 NPT
D1	1/4" (-4) COMPRESSION 7/16-24 UNS-2A	UNLOADER MUFFLER	1/8" (-2) FEMALE NPT 1/8-27 NPT
D2	1/4" (-4) FEMALE NPT 1/4-18 NPT	UNLOADER MUFFLER	1/8" (-2) FEMALE NPT 1/8-27 NPT
D3	1/4" (-4) COMPRESSION 7/16-24 UNS-2A	1/4" (-4) FEMALE NPT 1/4-18 NPT	1/8" (-2) FEMALE NPT 1/8-27 NPT
D4	1/4" (-4) FEMALE NPT 1/4-18 NPT	1/4" (-4) FEMALE NPT 1/4-18 NPT	1/8" (-2) FEMALE NPT 1/8-27 NPT
D5	1/4" (-4) FEMALE NPT 1/4-18 NPT	1/4" (-4) FEMALE NPT 1/4-18 NPT	1/4" (-4) MALE NPT 1/4-18 NPT
D6	1/8" (-2) MALE NPT 1/8-27 NPT	UNLOADER MUFFLER	1/8" (-2) FEMALE NPT 1/8-27 NPT
D7	1/4" (-4) MALE NPT 1/4-18 NPT	UNLOADER MUFFLER	1/8" (-2) FEMALE NPT 1/8-27 NPT
D8	1/4" (-4) MALE NPT 1/4-18 NPT	1/4" (-4) FEMALE NPT WITH MUFFLER 1/4-18 NPT	1/8" (-2) FEMALE NPT 1/8-27 NPT