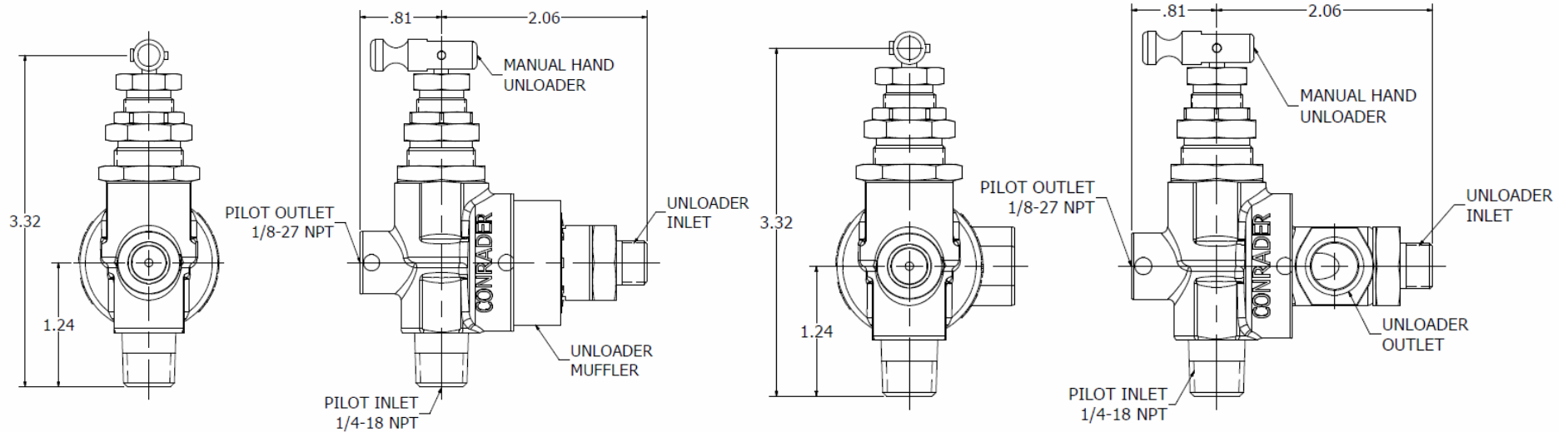




Piloted Unloader Valve Model: BG-Series



*Dimensions will vary with different connections and configurations.

Operating Specifications:

Unload Set Pressure Range: 40 to 250 psig

Set Pressure Differential Range: 10 to 50 psid

Operating Temperature Range: -65°F to 400°F

Max Flow Capacity: 20 SCFM @ 100 psig

Available Connections:

Unloader Connection Sizes: 1/4" to 3/8" (-4 to -6)

Connection Types: NPT, BSPT, Compression

Materials of Construction:

Body/Fittings: Brass

O-Rings: Silicone/Viton

Poppets: Reinforced PTFE

Springs: Stainless Steel



Ordering Information

BG		1		-		M		-		HU2		-		SA		-		SST		-		90-120							
Configuration Number		See Available Configurations Below		Unloader Outlet Option		Option		Code		Hand Unloader Options		Option		Code		Pilot Tamper Seal		Option		Code		Thread Sealant		Option		Code		Pressure Setting	
				Muffler (Standard)		M				Aluminum (Standard)		(Blank)		None		(Blank)		None		(Blank)		None		(Blank)					
				Diffuser		D				Red Cap		HU2		Sealed		SA		White		SST									
										Black Knob		HU3																	

Options

1. Configuration: Available configurations are listed on the following pages. If the configuration needed is not listed please contact us at orders@conrader.com
2. Unloader Outlet
 - a. Muffler: The muffler comes standard and reduces the noise from the unloader.
 - b. Diffuser: The diffuser restricts the flow less than the muffler but creates more noise.
3. Hand Unloader Options
 - a. Aluminum: Standard aluminum hand unloader on all valves.
 - b. Red Cap: A red vinyl cap installed on the aluminum hand unloader.
 - c. Black Knob: A plastic black knob in place of the aluminum hand unloader.
4. Pilot Tamper Seal:
 - a. None: A seal will not be applied to the pilot adjustments.
 - b. Sealed: A blue tamper seal will be applied across the pilot adjustments.
5. Thread Sealant:
 - a. None
 - b. White colored thread sealant.
6. Pressure Setting: The desired pilot load and unload pressure settings.

Model	<u>Unloader Inlet Connection</u>	<u>Unloader Outlet Connection</u>
BG-1	1/4" (-4) COMPRESSION 7/16-24 UNS-2A	UNLOADER MUFFLER
BG-2	1/4" (-4) FEMALE NPT 1/4-18 NPT	UNLOADER MUFFLER
BG-3	1/2" (-8) COMPRESSION 11/16-20 UN-2A	1/4" (-4) FEMALE NPT 1/4-18 NPT
BG-4	1/4" (-4) FEMALE NPT 1/4-18 NPT	1/4" (-4) FEMALE NPT 1/4-18 NPT
BG-5	3/8" (-6) COMPRESSION 9/16-24 UNF-2A	UNLOADER MUFFLER
BG-6	1/4" (-4) FEMALE BSPT Rc 1/4-19 (BSPT)	UNLOADER MUFFLER