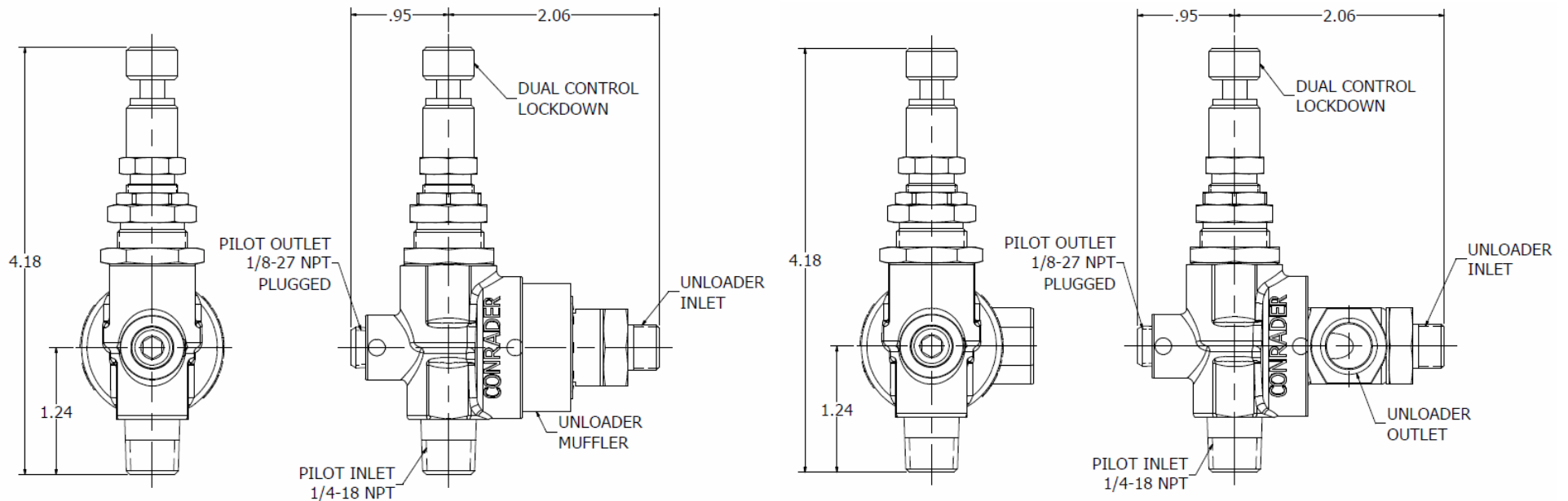




## Piloted Unloader Valve Model: BDC-Series



\*Dimensions will vary with different connections and configurations.

### Operating Specifications:

**Unload Set Pressure Range: 40 to 250 psig**

**Set Pressure Differential Range: 10 to 50 psid**

**Operating Temperature Range: -65°F to 400°F**

**Max Flow Capacity: 20 SCFM @ 100 psig**

### Available Connections:

**Unloader Connection Sizes: 1/4" to 3/8" (-4 to -6)**

**Connection Types: NPT, BSPT, Compression**

### Materials of Construction:

**Body/Fittings: Brass**

**O-Rings: Silicone/Viton**

**Poppets: Reinforced PTFE**

**Springs: Stainless Steel**



## Ordering Information

**BDC      1      -      M      -      SA      -      SST      -      90-120**

| Configuration Number               | Unloader Outlet Option |      | Pilot Tamper Seal |         | Thread Sealant |         | Pressure Setting |
|------------------------------------|------------------------|------|-------------------|---------|----------------|---------|------------------|
|                                    | Option                 | Code | Option            | Code    | Option         | Code    |                  |
| See Available Configurations Below | Muffler (Standard)     | M    | None              | (Blank) | None           | (Blank) |                  |
|                                    | Diffuser               | D    | Sealed            | SA      | White          | SST     |                  |

## Options

1. Configuration: Available configurations are listed on the following pages. If the configuration needed is not listed please contact us at [orders@conrader.com](mailto:orders@conrader.com)
2. Unloader Outlet
  - a. Muffler: The muffler comes standard and reduces the noise from the unloader.
  - b. Diffuser: The diffuser restricts the flow less than the muffler but creates more noise.
3. Pilot Tamper Seal:
  - a. None: A seal will not be applied to the pilot adjustments.
  - b. Sealed: A blue tamper seal will be applied across the pilot adjustments.
4. Thread Sealant:
  - a. None
  - b. White colored thread sealant.
5. Pressure Setting: The desired pilot load and unload pressure settings.

| <b>Model</b> | <b><u>Unloader Inlet Connection</u></b>   | <b><u>Unloader Outlet Connection</u></b> |
|--------------|---|--|
| <b>BDC-1</b> | 1/4" (-4) COMPRESSION<br>7/16-24 UNS-2A   | UNLOADER MUFFLER                         |
| <b>BDC-2</b> | 1/4" (-4) FEMALE NPT<br>1/4-18 NPT        | UNLOADER MUFFLER                         |
| <b>BDC-3</b> | 1/2" (-8) COMPRESSION<br>11/16-20 UN-2A   | 1/4" (-4) FEMALE NPT<br>1/4-18 NPT       |
| <b>BDC-4</b> | 1/4" (-4) FEMALE NPT<br>1/4-18 NPT        | 1/4" (-4) FEMALE NPT<br>1/4-18 NPT       |
| <b>BDC-5</b> | 3/8" (-6) COMPRESSION<br>9/16-24 UNF-2A   | UNLOADER MUFFLER                         |
| <b>BDC-6</b> | 1/4" (-4) FEMALE BSPT<br>Rc 1/4-19 (BSPT) | UNLOADER MUFFLER                         |