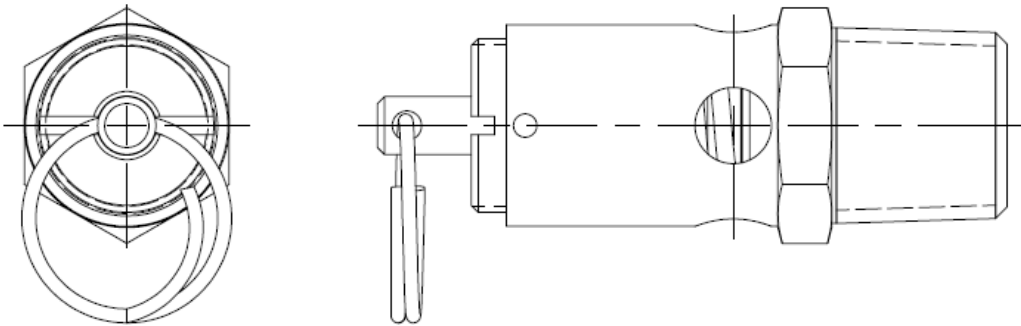




**Pressure Relief Valve
Model: SRV390**



Set Pressure Range: 25-300 psig

Set Pressure Tolerance: $\pm 3\%$ of Set Pressure

**Seat Leakage: Bubble Tight within 5 psig for set pressure 50 psig or less
Bubble Tight within 10% for set pressure greater than 50 psig
100% testing or 2.5 AQL sample testing, conforming to API 527**

Flow Factor (Slope Method): 1.55

Operating Temperature Range: -65°F to 400°F

Materials of Construction:

Seat, Cap, Piston: C360 Brass (ASTM B-16)

Spring: Stainless Steel

Seal: Silicone / Viton

Valve Weight: 0.281 lbm

Valve Option:

Plating: Nickel Plating

Inlet NPT Sizes: 3/8 NPT or BSPT

1/2 NPT or BSPT

Certifications:

ASME Boiler & Pressure Vessel Code Section VIII Division 1

CSA B51-03 Boiler, Pressure, Vessel, and Pressure Piping Code

SCALE: 2:1

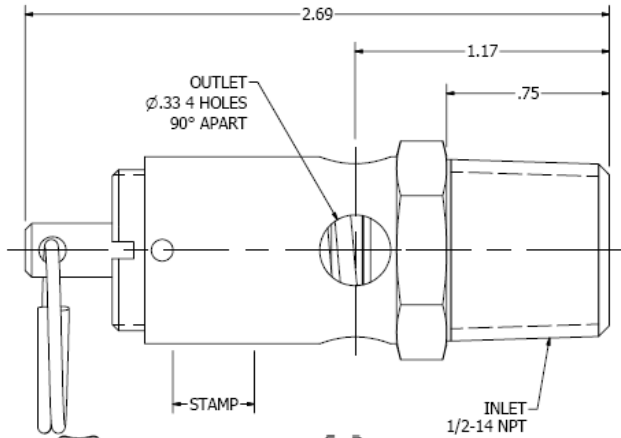
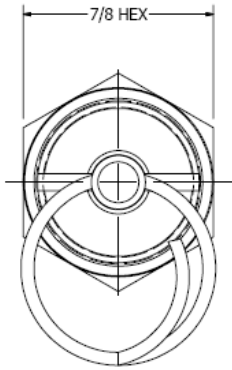
BY: L.CONTI

THIS DOCUMENT CONTAINS INFORMATION CONFIDENTIAL TO CONRADER,
LOANED SUBJECT TO THE CONDITIONS THAT IT NOT BE USED OR CAUSED
TO BE USED IN ANY WAY HARMFUL TO CONRADER AND BE RETURNED ON
DEMAND.



CONRADER
VALVES

R. CONRADER COMPANY
749 EAST 18TH STREET P. O. BOX 924
ERIE, PA 16512-0924 (814) 898-2727

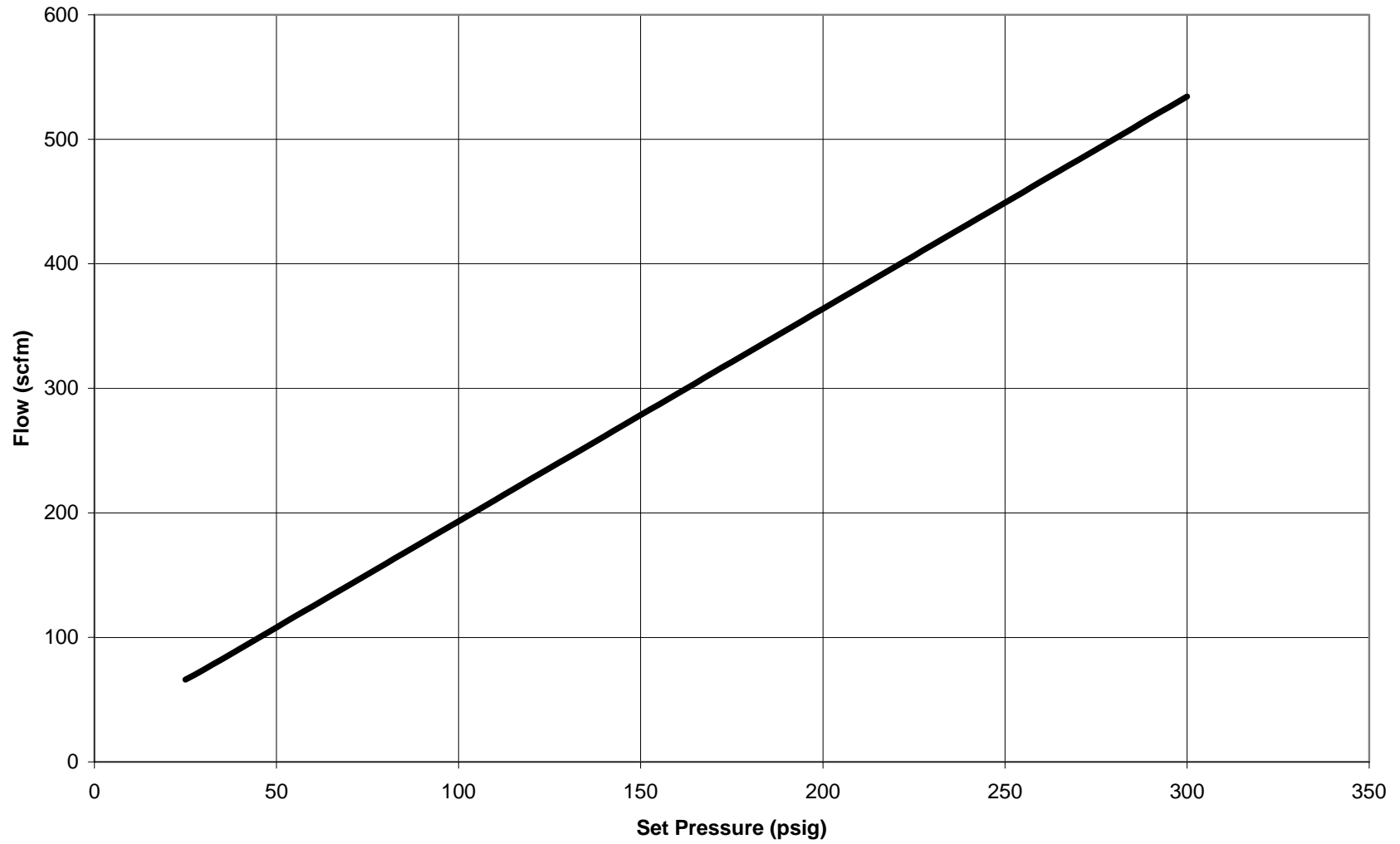


UV R. CONRADER ERIE PA
SRV 250 1/4NPT NB ***
CRN 0G6391.2C
XXX PSI XXX SCFM (YEAR)

DESCRIPTION	NOUN	DRAWING NO.
DIM OUTLINE	VALVE	1299
SRV250	PAGE 1 OF 1	REVISION: 4/6/2010
MATERIAL:	ISSUED: 8/22/1994	SUPERCEDES: 11/5/2008
		REVISED BY: NRP



SRV390 Set Pressure vs. Flow



THE NATIONAL BOARD
OF
BOILER & PRESSURE VESSEL INSPECTORS

Certificate of Authorization



This is to certify that

R. Conrader Company
749 East 18th St
Erie, PA 16503
UNITED STATES

is authorized to apply the "NB" mark to specified PRESSURE RELIEF DEVICES in accordance with the provisions of the National Board. The scope of Authorization is limited to National Board Certified devices which have been manufactured, assembled and stamped with the following construction codes:

ASME Section VIII, Division 1: "UV" Stamp

ISSUE DATE: September 4, 2007

EXPIRATION September 4, 2010

Executive Director

A handwritten signature in black ink, appearing to read 'D. A. ...', positioned to the right of the 'Executive Director' text.





CERTIFICATE OF AUTHORIZATION

This certificate accredits the named company as authorized to use the indicated symbol of the American Society of Mechanical Engineers (ASME) for the scope of activity shown below in accordance with the applicable rules of the ASME Boiler and Pressure Vessel Code. The use of the Code symbol and the authority granted by this Certificate of Authorization are subject to the provisions of the agreement set forth in the application. Any construction stamped with this symbol shall have been built strictly in accordance with the provisions of the ASME Boiler and Pressure Vessel Code.

COMPANY:

R. Conrader Company
749 E. 18th St.
Erie, Pennsylvania 16503

SCOPE:

**Manufacture of pressure vessel pressure relief valves at the above location only
(This authorization does not cover welding or brazing)**

AUTHORIZED: September 4, 2007 REVISED: August 21, 2007
EXPIRES: September 4, 2010
CERTIFICATE NUMBER: 34,454

A handwritten signature in black ink, appearing to read 'John F. ...'.

Chairman of The Boiler
And Pressure Vessel Committee

A handwritten signature in black ink, appearing to read 'Alan B. ...'.

Director, Accreditation and Certification

